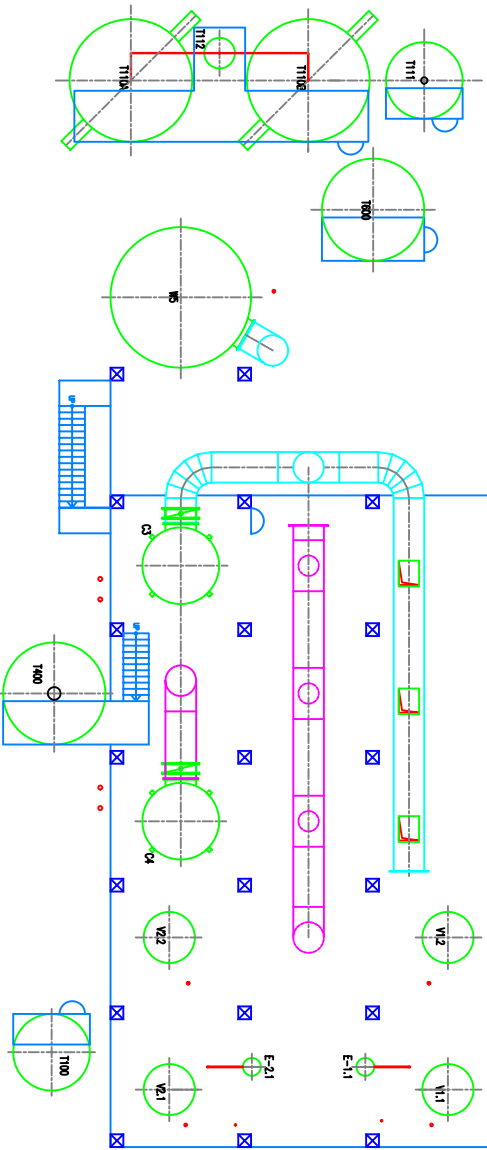
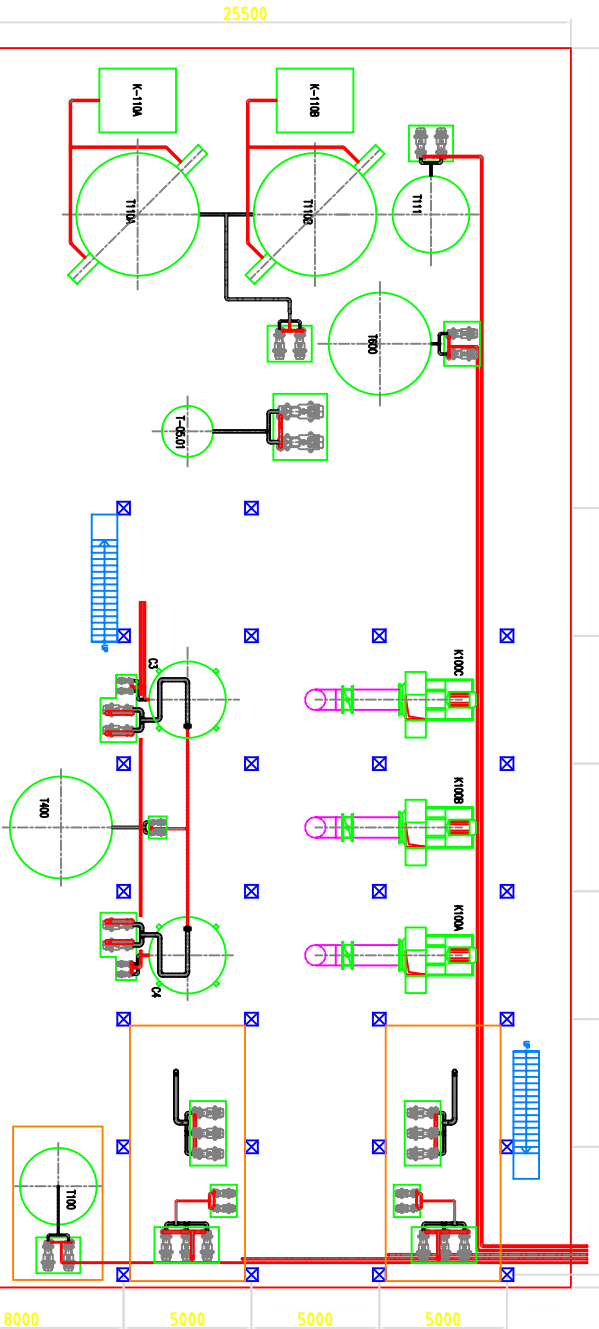


PLAN FROM EL+6200 TO EL+9200



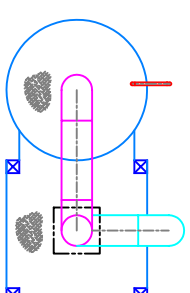
PLAN FROM EL+3200 TO EL+6200



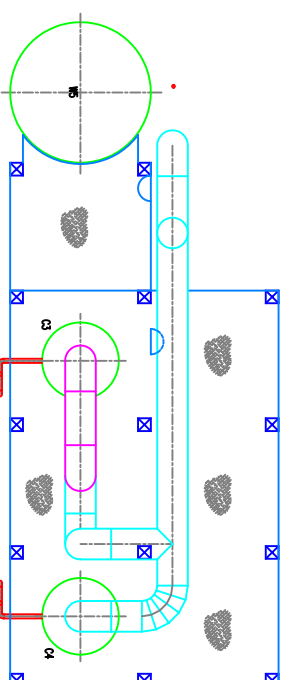
PLAN FROM EL+200 TO EL+3200



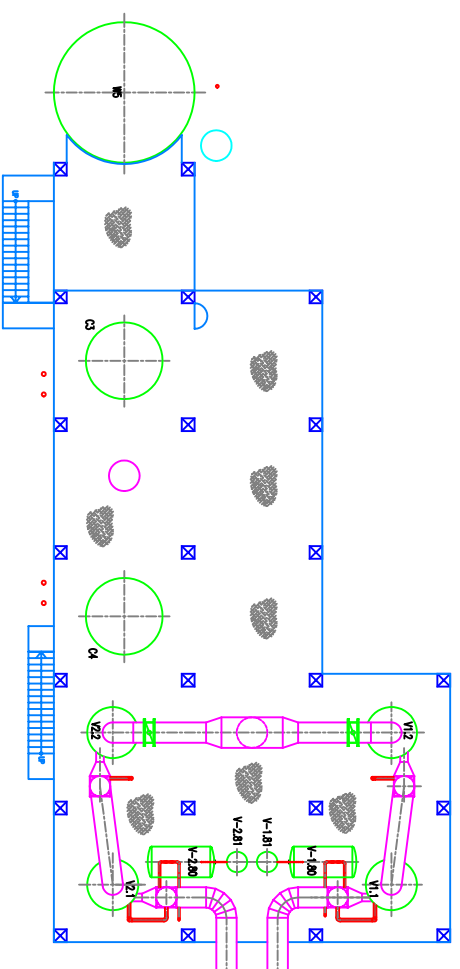
PLAN FROM EL+48000 TO EL+50000



PLAN FROM EL+17200 TO EL+48000



PLAN FROM EL+12200 TO EL+17200



PLAN FROM EL+9200 TO EL+12200

FOR INFORMATION
 30 NOV 2007

REV	DATE	DESCRIPTION	DRAWN	CHKD
B5	30.NOV.2007	FOR INFORMATION	Sandy	TM
B4	05.SEP.2007	FOR INFORMATION	Sandy	TM
B3	29.AUG.2007	FOR INFORMATION	Sandy	TM
B2	31.JUL.2007	FOR INFORMATION	Sandy	TM
A0	23.JUL.2007	FOR INFORMATION	Sandy	TM

atea ENVIRONMENTAL TECHNOLOGY PTE LTD
 731 North Bridge Road
 #02-01 Singapore 198699
 Tel. (65) 6341 5018 - Fax. (65) 6396 6018

Lynas ENVIRON
 Environmental Technology Co. Reg No. 200100531W

DRAWING TITLE: **Exhibit 5.6.2**
 Waste Gas Treatment System
 PLAN FROM EL+200 TO EL+20200

DESIGNED : TM	DRAWN : Sandy	CHECKED : TM
JOB No. : M40 6480	SCALE : 1:150	DATE : 23.JUL.2007
DRAWING NO. : 1002	REV : B5	

This print and it's copyright are the property of **atea** ENVIRONMENTAL TECHNOLOGY PTE LTD